

Facilitating bottom up river basin management: case from small rivers in the Ferghana Valley

Jusipbek Kazbekov
IWMI Central Asia

www.iwmi.org

Integrated Water Resources Management in Ferghana Valley (SDC-funded)

- Key concepts introduced:
 - Hydrographic management (unified CMO, WUA mgt)
 - User participation (Canal water user unions, WUA councils, WUGs)
 - Management transfer: joint state-public governance
- Stages:
 - Formulation and conceptual framework (2001-2002)
 - Implementation (creating pilot WUAs, canal orgs) (2002-2005)
 - Strengthening and expansion to whole canal (2005-2008)
 - **Small Transboundary Tributaries (STT) component started in 2007**
 - Packaging tools and dissemination (2008-2010)
 - Stop over and analysis (2011-2012)

STT context

– WATER

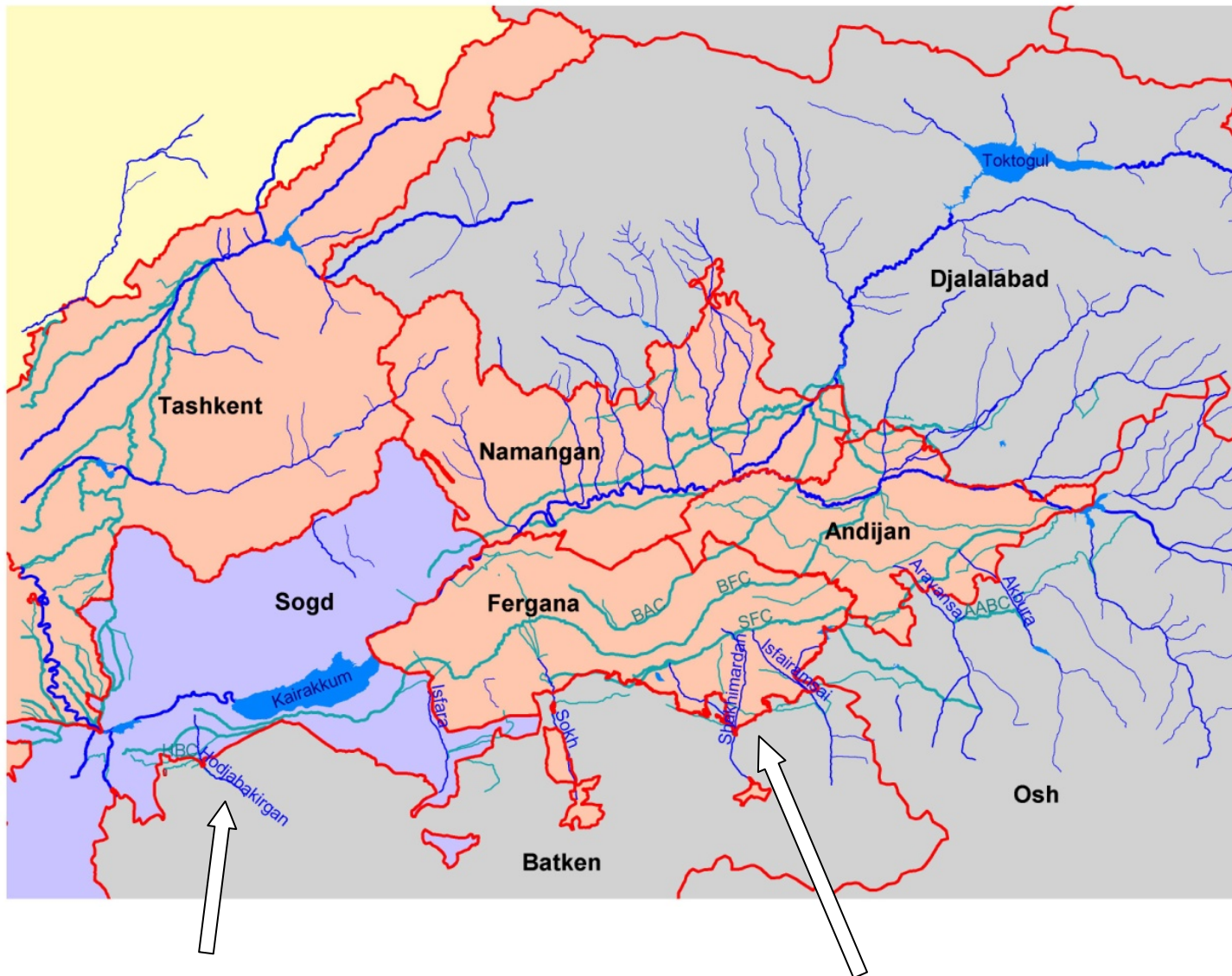
- flow regulation and storage a challenge
- daily fluctuation of river flow
- regular water shortage in spring (April-May) and autumn (October)
- growing overpopulation
- water rotations are normal practice
- frequent extreme situations (floods, droughts etc.)
- lack of measuring and control and exchange of information
- need for frequent contacts & border crossings after problems occur

– LAND

- irrigated area-wise: lesser upstream, larger downstream
- changing cropping patterns and land expansion in the upstream
- different pace of land reforms
- transboundary WUAs commanding tiny pockets of co-riparian land
- lots of disputed areas with state borders still undetermined

Despite being part of the larger Syrdarya, STTs are considered rather local issue with separate water sharing agreements since USSR.

Two pilot STTs within the Ferghana Valley

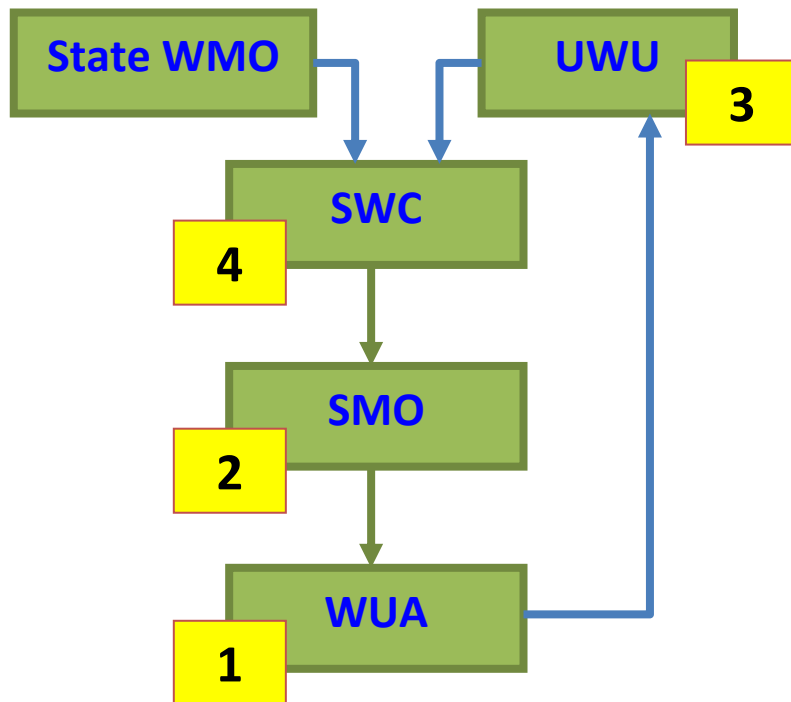


2 STTs:

Khojabakirgan
(Kyrgyzstan-Tajikistan)

Shahimardan
(Kyrgyzstan-Uzbekistan)

IWRM model



1. Hydrographic WUA Development (WUG, council, training)
2. Hydrographic maintenance unit/orgs
3. Water users' org/union
4. Joint (state-public) governance body – Water committee

Tasks

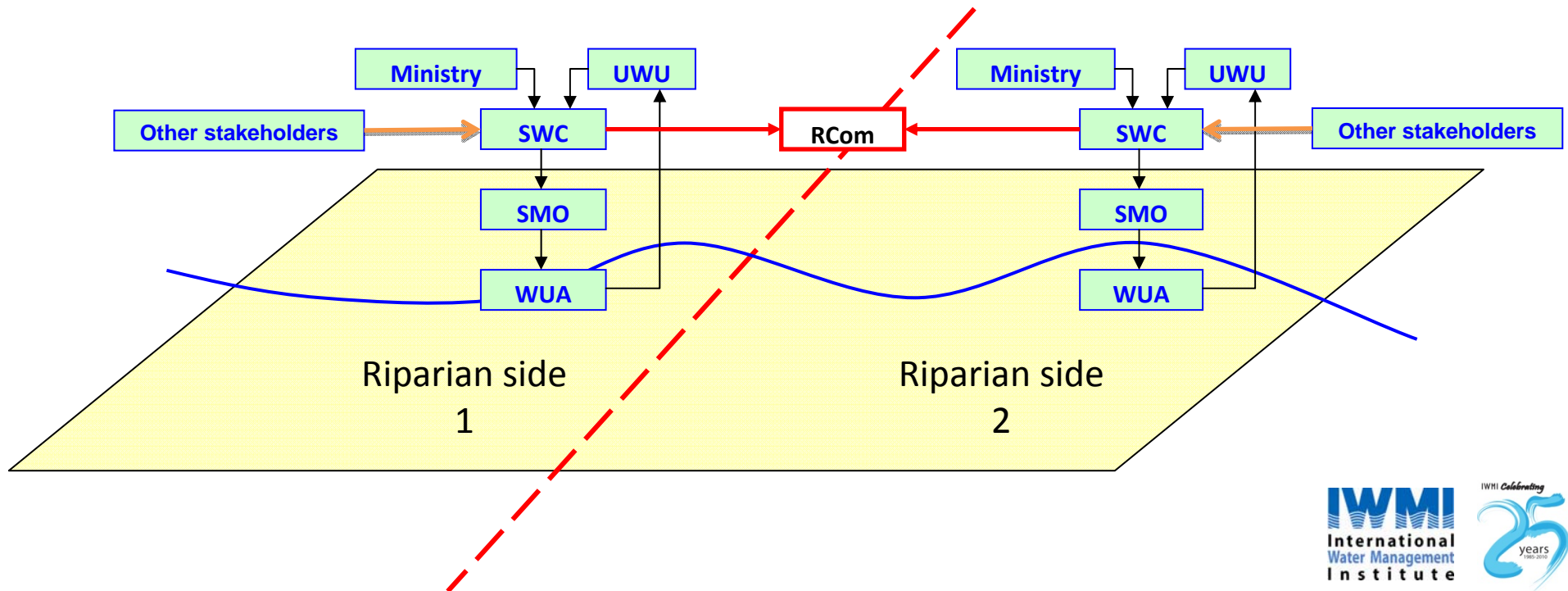
- **Micro:** Introduce IWRM at each STT side
 - Hydrographic composition
 - WUA reorganization or establishment
 - WUA strengthening (training, councils, WUGs)
- **Macro:** STT Framework and Agreement
 - Institutional aspects (prepare ground, bi-lateral cooperation and only then umbrella agreement)
 - Technical aspects (informal working groups, exchange of information, cooperation during extreme situations)



Important consideration

- Reach **consensus** at both sides of STTs before signing any agreements

>> Facilitate IWRM process simultaneously at each side of the river



Facilitation thru Working Groups and Mobilizers



Institutional WGs

- ❑ Developed Action Plans to implement strategy;
- ❑ Acted as consultation and expert bodies during discussion of governance options.



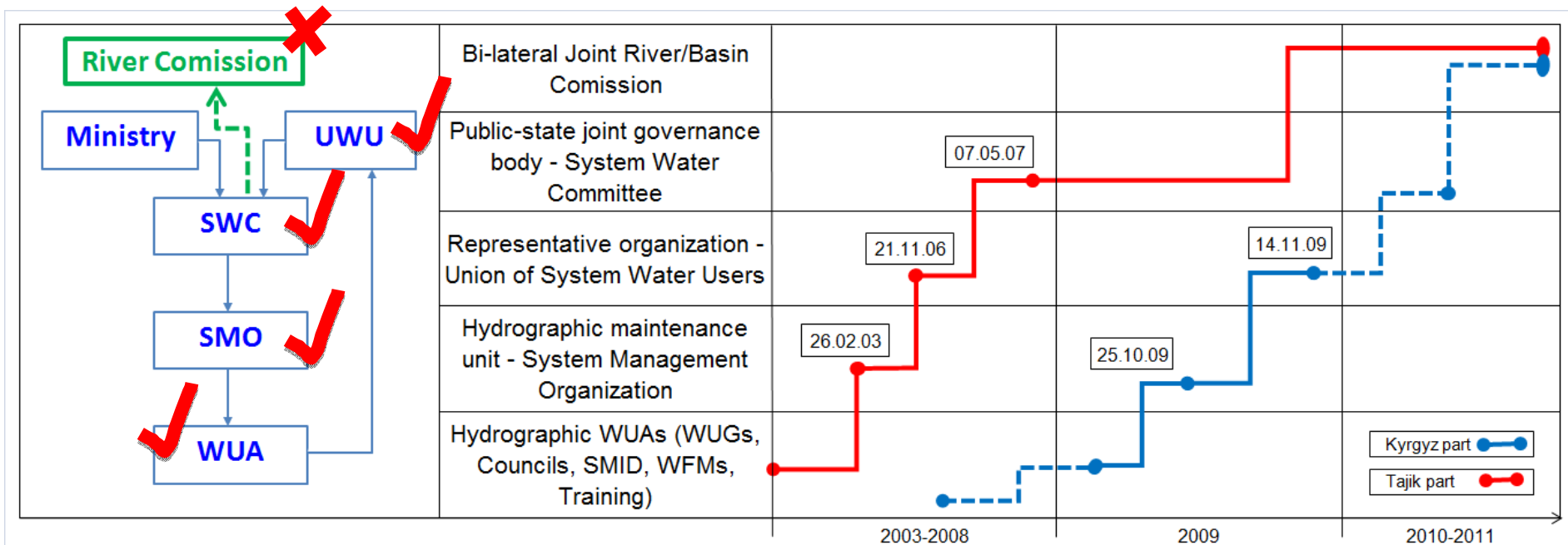
Technical WG

- ❑ To fill the gap to discuss maintenance matters at basin level;
- ❑ Main focus on common issues;
- ❑ Discusses seasonal water planning;
- ❑ Cooperation during extreme periods.



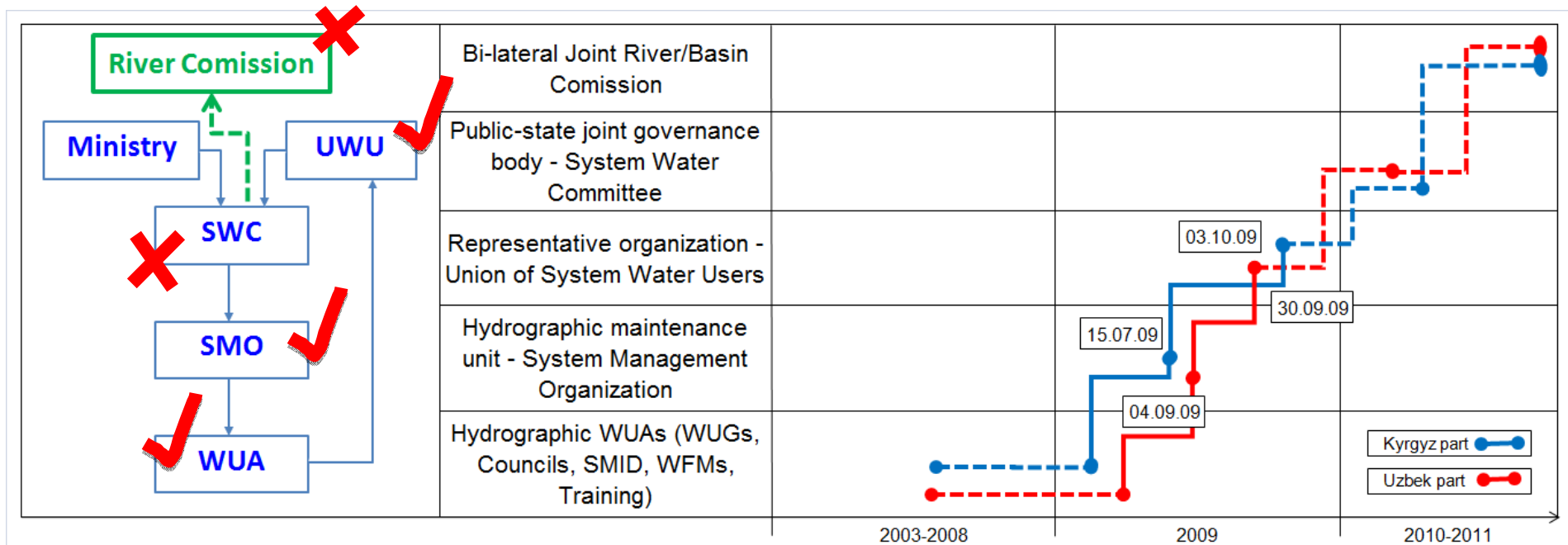
SMID teams

Where we are now: Khodjabakirgan



- What needs to be done:
 - Discuss options for Joint Cooperation;
 - Establish Joint River/Basin Commission;
 - Continue cooperation with GIZ.

Where we are now: Shakhimardan

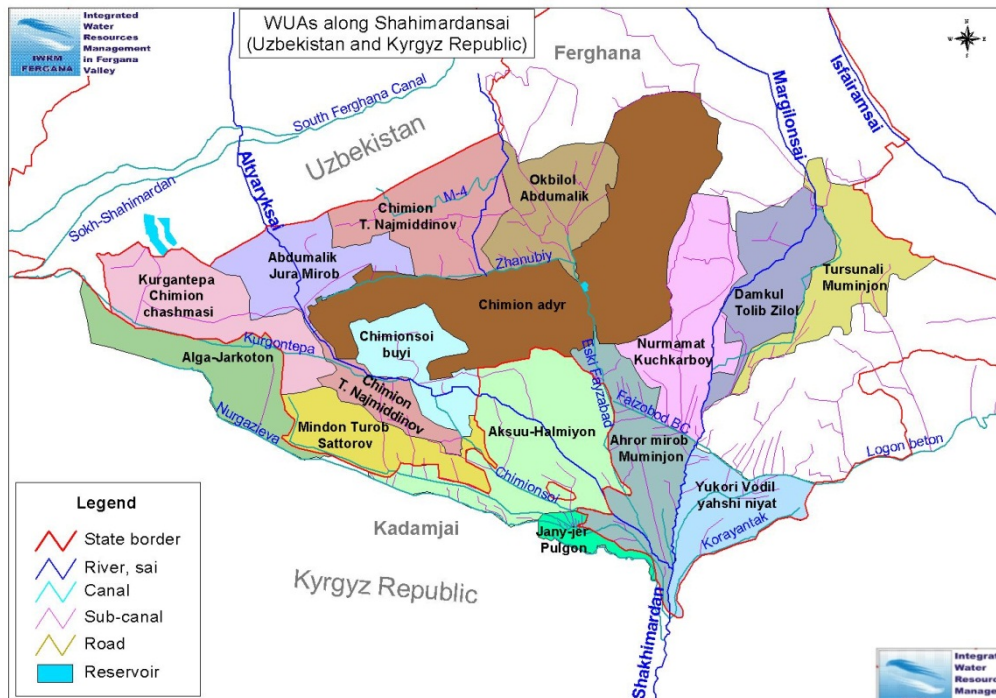


- What needs to be done:
 - Establish/formalize Water Committees on Uzbek side;
 - Discuss options for Joint Cooperation;
 - Establish Joint River/Basin Commission

Major outcomes

- Institutional settings harmonized at 2 STTs;
- 1st round of 2-side local level consultations held on ideal and affordable institutional arrangements aimed at trust building;
- 2nd round consultations at national/interstate level are pending to get feedback, formalize cooperation and link up with higher umbrella arrangements (GIZ)
- Finalize a complete package and lessons learnt for wider uptake
- Look for regional incentive schemes within IFAS/ICWC etc. for STT support





Shahimardan

Riparian side	Area, ha	No of WUAs	No of WUGs	% of WUGs in Councils	No of Trained specialists
Kyrg	4803	4	52	19	100
Uzb	18117	9	87	13	267

Khojabakirgan

Riparian side	Area, ha	No of WUAs	No of WUGs	% of WUGs in Councils	No of Trained specialists
Kyrg	5322	3	90	13	77
Taj	14300	17	73	36	270

